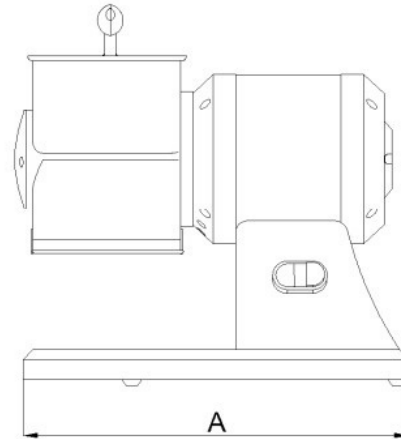
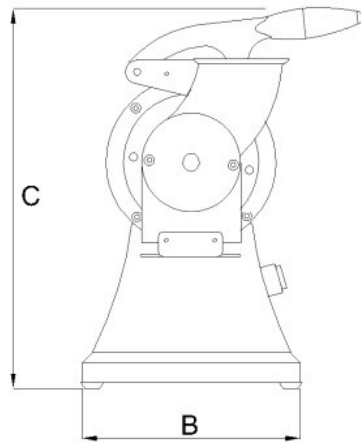




# INDEX

## GS



	A	B	C
GS	380 mm	220 mm	380 mm
GSM	420 mm	220 mm	380 mm